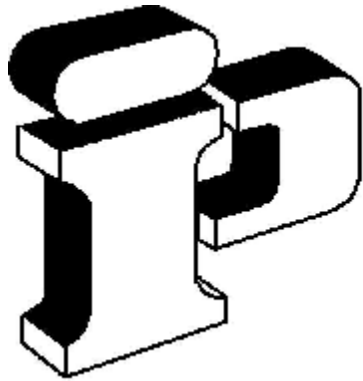


ITALPRESSE & FENCO-ALDRIDGE



ITALPRESSE

Macchine e sistemi per la pressocalata
Equipment for high pressure diecasting

■ **Fenco-Aldridge**

INNOVATION FLOOD WELDED PLATEN



■ **Fenco-Aldridge**

 **ITALPRESSE**
Macchine e sistemi per la pressocalata
Equipment for high pressure diecasting

INNOVATION ROLLED THREADED TIE BARS



 **Fenco-Aldridge**

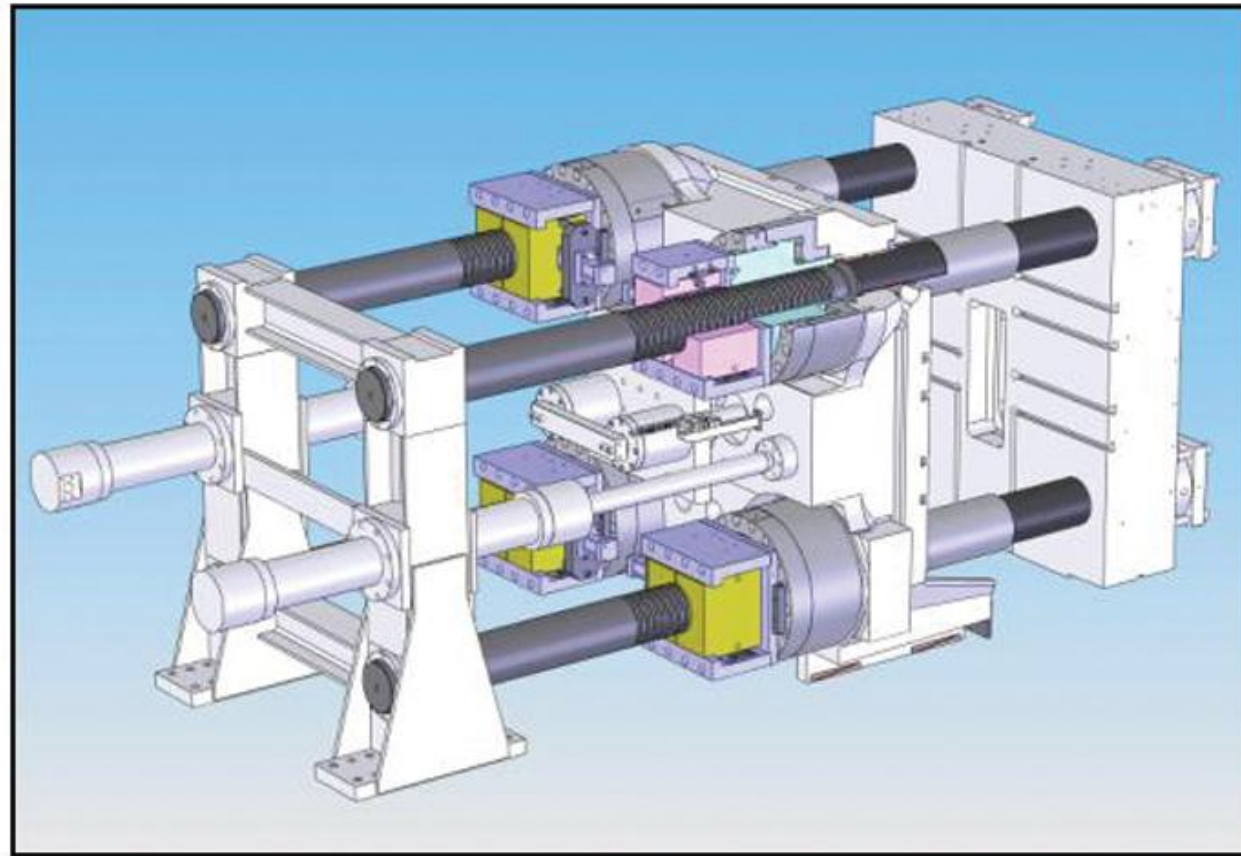
 **ITALPRESSE**
Macchine e sistemi per la pressocalata
Equipment for high pressure diecasting

TOGGLE FREE DIECASTING

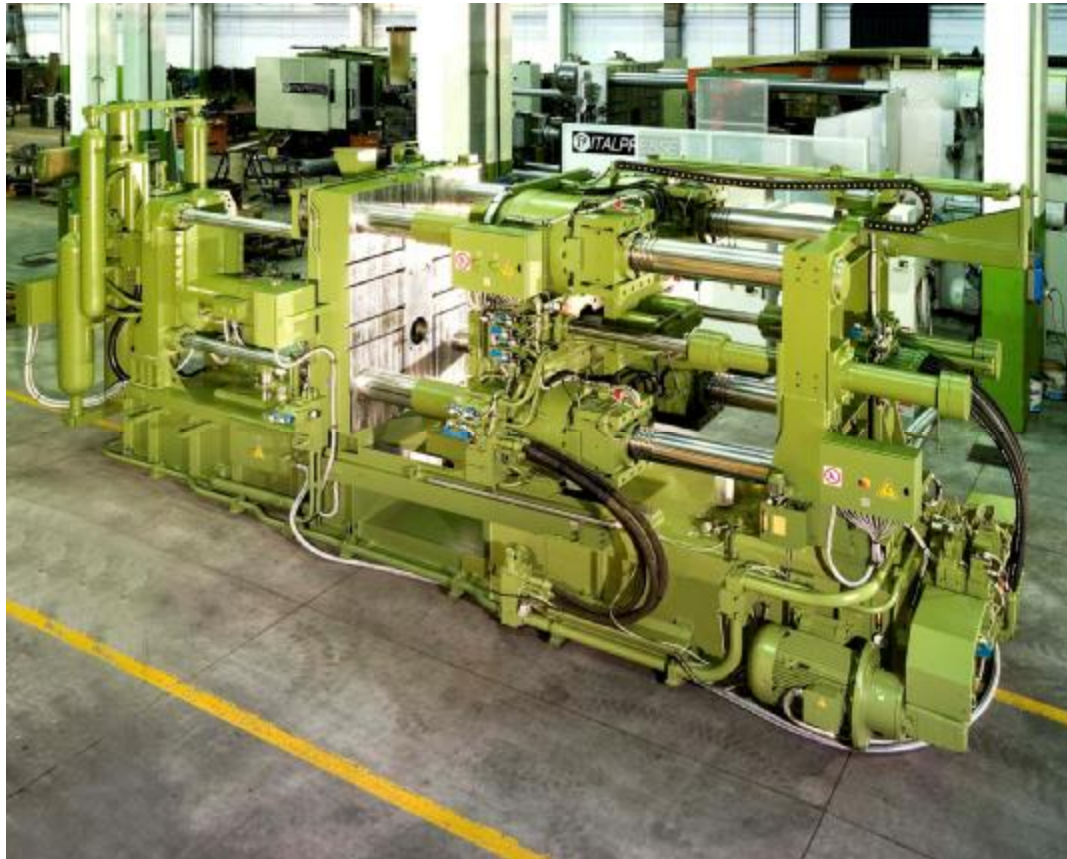
FINDING THE **HOLY GRAIL**



WHAT IS TOGGLE FREE DIECASTING



WHAT IS TOGGLE FREE DIECASTING



SIZE

SMALLER DIMENSIONS

- **OVERALL DIMENSIONS – SMALLER**
- **MOVING PLATEN STROKE – LONGER**
- **MACHINE PLATEN STROKE – LARGER**
- **CENTRAL EJECTION STROKE - INCREASED**

STRENGTH AND RIGIDITY

- FEWER MOVING PARTS
- INCREASED TIE BAR DIMENSIONS
- IMPROVED DIE PARALLELISM
- IMPROVED MACHINE LIFE

WHY NOT SUCCEEDED BEFORE

- **ARDUOUS CONDITIONS**
- **HYDRAULIC FILTRATION ETC.**
- **COST OF COMPONENTS**
- **RISK OF REPUTATION**

WHY ITALPRESSE?



 **Fenco-Aldridge**

 **ITALPRESSE**
Macchine e sistemi per la pressocalata
Equipment for high pressure diecasting

WHY ITALPRESSE?



 **Fenco-Aldridge**

 **ITALPRESSE**
Macchine e sistemi per la pressocalata
Equipment for high pressure diecasting

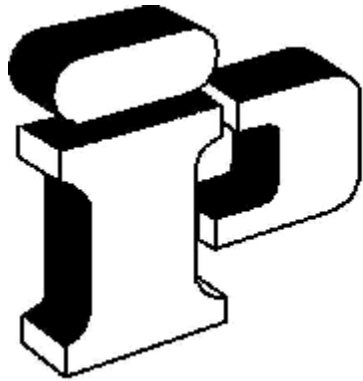
WHY ITALPRESSE?



Fenco-Aldridge

ITALPRESSE
Macchine e sistemi per la pressocolata
Equipment for high pressure diecasting

ITALPRESSE & FENCO-ALDRIDGE



ITALPRESSE

Macchine e sistemi per la pressocalata
Equipment for high pressure diecasting

■ Fenco-Aldridge